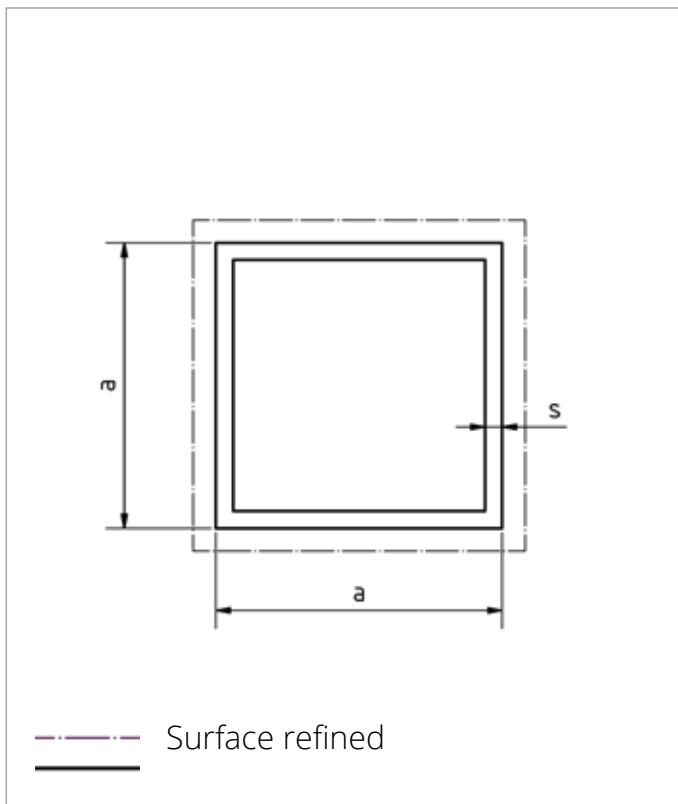


Square tubes



dimension a * s in mm	Weight kg/m
15 x 1,5	0,223 kg
15 x 2,0	
20 x 1,5	0,305 kg
25 x 1,5	0,388 kg
30 x 2,0	0,616 kg
40 x 2,0	0,836 kg
50 x 2,5	1,306 kg
60 x 3,0	1,881 kg
80 x 3,0	2,541 kg
100 x 3	3,201 kg

Maximum profile length*

6,000mm

material

AlMgSi0.5 F22 (EN AW 6060 T 66)

Available surfaces**

Bright chrome plated
 Stainless steel colored anodized
 Natural color anodized (E6EV1)

Other surfaces on request.

Hints

*) Due to manufacturing reasons, it is possible that there may be slight deviations with the maximum length of 6,000 mm.

***) Due to production reasons, it is possible that there is no surface coating on the contact surfaces at the ends of the profiles (up to 80 mm)