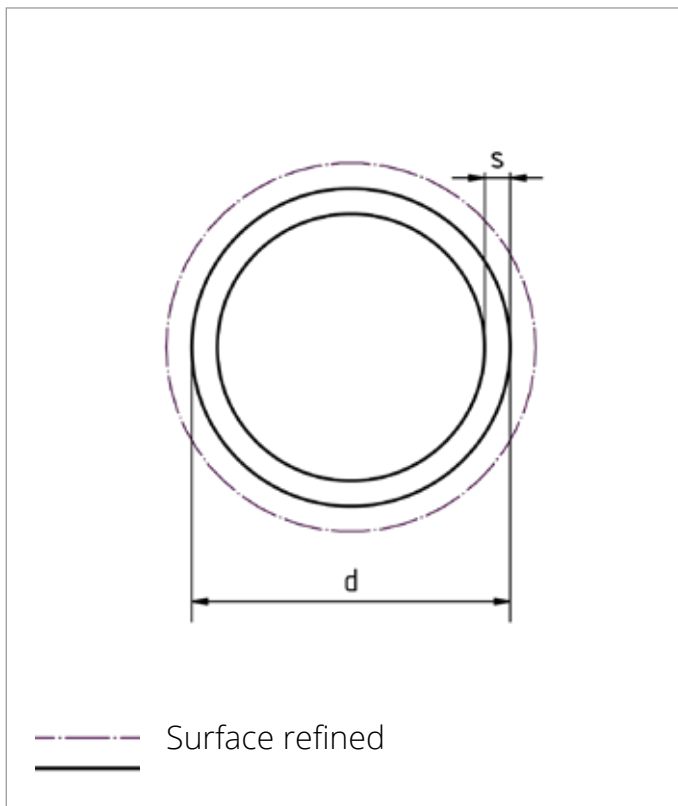


Round tubes



dimension d * s in mm	Weight kg/m
15 x 1	0,121 kg
18 x 2	0,276 kg
20 x 1	0,164 kg
20 x 2	0,311 kg
25 x 2	0,397 kg
30 x 1,5	0,369 kg
35 x 1,5	0,434 kg
40 x 2	0,656 kg
50 x 2,5	1,025 kg
60 x 2,5	1,241 kg
80 x 3	1,995 kg
100 x 3	2,513 kg

Maximum profile length*

6,000mm

material

AlMgSi0.5 F22 (EN AW 6060 T 66)

Available surfaces**

Bright chrome plated
 Stainless steel colored anodized
 Natural color anodized (E6EV1)

Other surfaces on request.

Hints

*) Due to manufacturing reasons, it is possible that there may be slight deviations with the maximum length of 6,000 mm.

***) Due to production reasons, it is possible that there is no surface coating on the contact surfaces at the ends of the profiles (up to 80 mm)