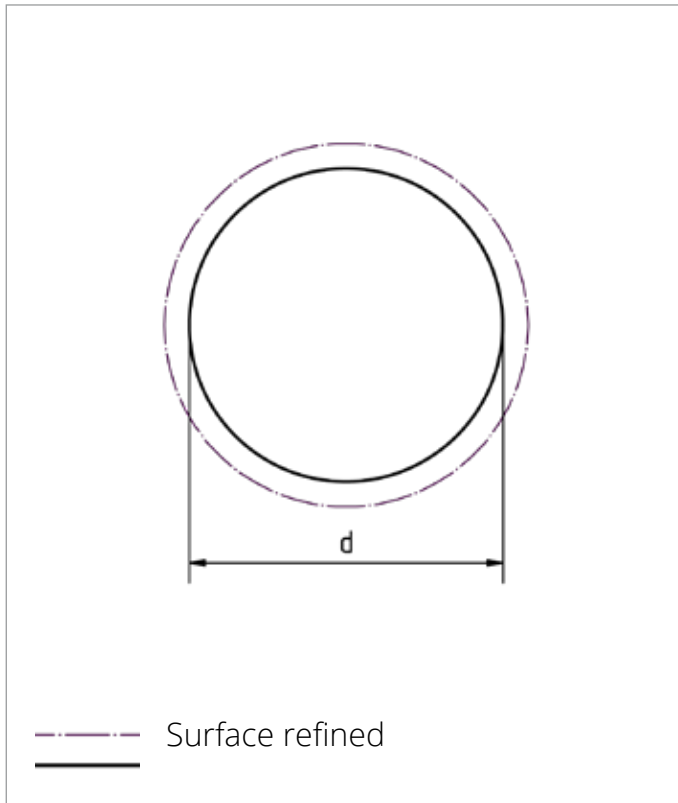


## Round bars



dimension d in mm	Weight kg/m
8	0,138 kg
10	0,216 kg
12	0,311 kg
14	0,423 kg
15	0,486 kg
16	0,553 kg
18	0,699 kg
20	0,864 kg
22	1,045 kg
25	1,349 kg
30	1,943 kg

### Maximum profile length\*

6,000mm

### material

AlMgSi0.5 F22 (EN AW 6060 T 66)

### Available surfaces\*\*

Bright chrome plated  
Stainless steel colored anodized  
Natural color anodized (E6EV1)

*Other surfaces on request.*

### Hints

\*) Due to manufacturing reasons, it is possible that there may be slight deviations with the maximum length of 6,000 mm.

\*\*\*) Due to production reasons, it is possible that there is no surface coating on the contact surfaces at the ends of the profiles (up to 80 mm)